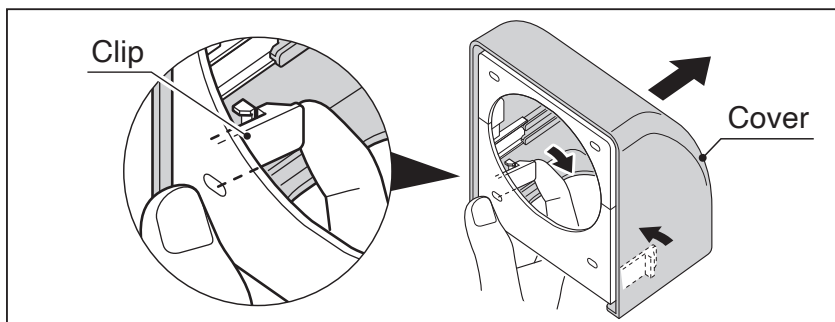


① Remove the base

Push the clip inward to remove the base.



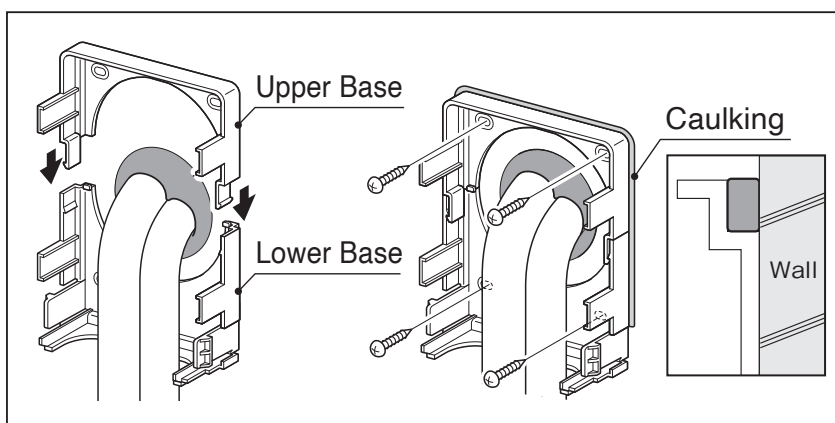
② How to fix the base and caulking

Assemble the base together first and then fix it on the wall with screw.

Then apply caulking to seal.

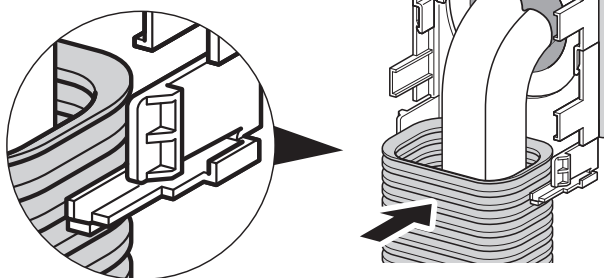
Remarks :

Caulking has to be applied sufficiently until it overbrims.



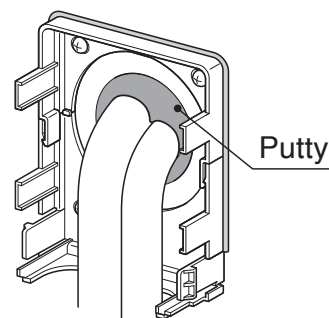
[How to fix SF flexible joint]

Penetrate lineset inside the flexible joint and insert the groove between the second and third ridge.



Penetration seal

Seal the penetration hole with putty or any waterproof sealing material.

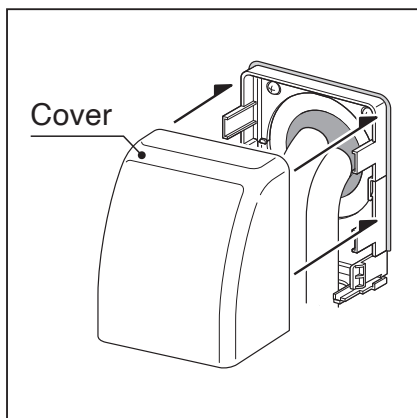


③ Fixing cover

Fix the cover on before the caulking material hardens.

Remarks :

Once the caulking material hardens, it could be difficult to fix the cover on.



How to remove the cover after the outlet is fixed on the wall

Remove the cover by inserting flathead screwdriver from the bottom and push the clip towards outside.

