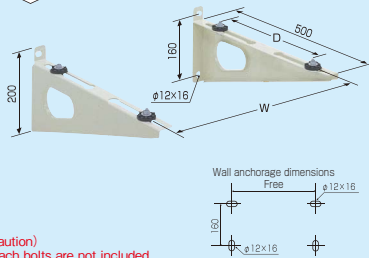


CATCHER – Universal Condenser Brackets

WALL BRACKET - Separated Type

Use	For Wall	Specification / Material
Code No.	18544	Powder Coating
Item No.	C-BFG-L	
A/C applicable size	W Free D 140~440	
Min. lot	6	

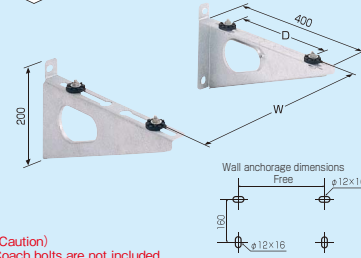
Capacity
80kg



(Caution)
Coach bolts are not included.

Use	For Wall	Specification / Material
Code No.	18548	Hot-Dip Galvanized
Item No.	C-BZFG	
A/C applicable size	W Free D 100~330	
Min. lot	6	

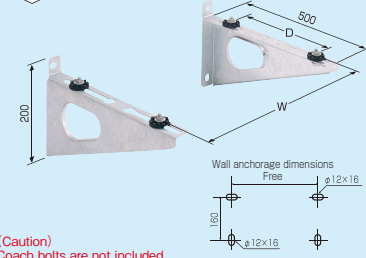
Capacity
80kg



(Caution)
Coach bolts are not included.

Use	For Wall	Specification / Material
Code No.	18549	Hot-Dip Galvanized
Item No.	C-BZFG-L	
A/C applicable size	W Free D 140~440	
Min. lot	6	

Capacity
80kg

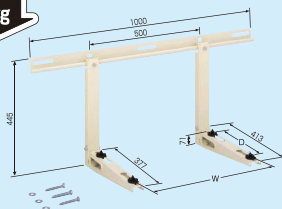


(Caution)
Coach bolts are not included.

WALL BRACKET

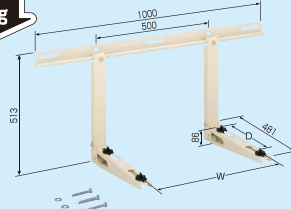
Use	For Wall	Specification / Material
Code No.	18508	ZAM+ Powder Coating
Item No.	C-KG	
A/C applicable size	W 70~940 D 160~340	
Min. lot	4	

Capacity
80kg



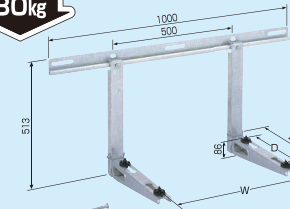
Use	For Wall	Specification / Material
Code No.	18536	ZAM+ Powder Coating
Item No.	C-KG-L	
A/C applicable size	W 70~940 D 160~400	
Min. lot	4	

Capacity
80kg



Use	For Wall	Specification / Material
Code No.	18537	Hot-Dip Galvanized
Item No.	C-KZG-L	
A/C applicable size	W 70~940 D 160~400	
Min. lot	4	

Capacity
80kg

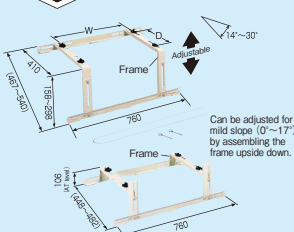


SLOPED ROOF BRACKET

Use	For Sloped Roof
Code No.	18502
Item No.	C-YG
Specification / Material	ZAM+Powder Coating
A/C applicable size	W 300~700 D 180~330
Min. lot	4

Capacity
80kg

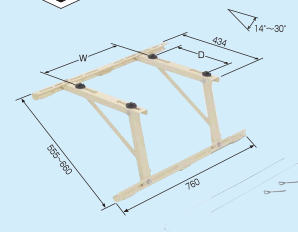
Pitch of roof $14^\circ \sim 30^\circ$
 $2.5/10 \sim 5.8/10$
Mild slope $0^\circ \sim 17^\circ$
Level $\sim 3/10$



Use	For Sloped Roof
Code No.	18503
Item No.	C-YUG
Specification / Material	ZAM+Powder Coating
A/C applicable size	W 100~700 D 160~340
Min. lot	4

Capacity
80kg

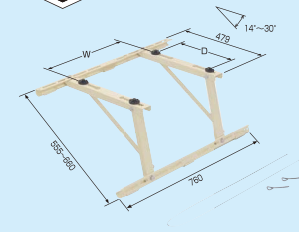
Pitch of roof $14^\circ \sim 30^\circ$
 $2.5/10 \sim 5.8/10$



Use	For Sloped Roof
Code No.	18540
Item No.	C-YUG-L
Specification / Material	ZAM+Powder Coating
A/C applicable size	W 100~700 D 160~400
Min. lot	4

Capacity
80kg

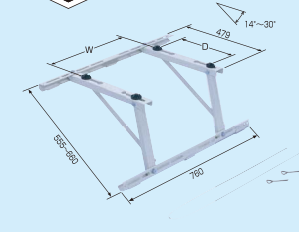
Pitch of roof $14^\circ \sim 30^\circ$
 $2.5/10 \sim 5.8/10$



Use	For Sloped Roof
Code No.	18541
Item No.	C-YUZG-L
Specification / Material	Hot-Dip Galvanized
A/C applicable size	W 100~700 D 160~400
Min. lot	4

Capacity
80kg

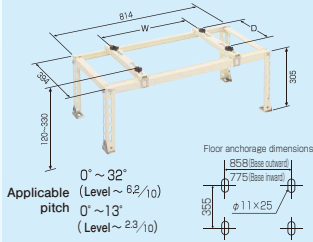
Pitch of roof $14^\circ \sim 30^\circ$
 $2.5/10 \sim 5.8/10$



SLAB STAND

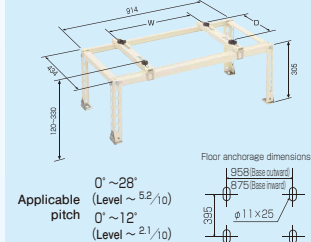
Use	For Flats
Code No.	☐ 18516
Item No.	C-NG
Specification / Material	ZAM+Powder Coating
A/C applicable size	W 300~700 D 160~340
Min. lot	3

Capacity 80kg
H300mm
Frame clips together for easy assembly



Use	For Flats
Code No.	☐ 18518
Item No.	C-NG-L
Specification / Material	ZAM+Powder Coating
A/C applicable size	W 400~800 D 200~380
Min. lot	2

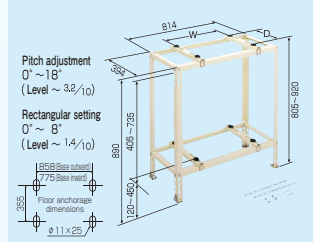
Capacity 80kg
H300mm
Frame clips together for easy assembly



DUPLEX STAND

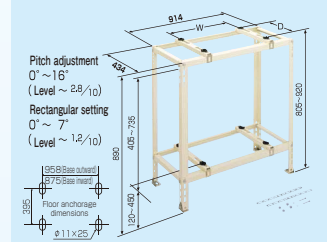
Use	For Two-Stage Flats
Code No.	☐ 18525
Item No.	C-WG
Specification / Material	ZAM+Powder Coating
A/C applicable size	W 300~700 D 160~340
Min. lot	2

Capacity 80kg × 2 units
Effective A/C dimensions on 1st step
(Width) (Depth) (Height)
734 314 735
Frame clips together for easy assembly



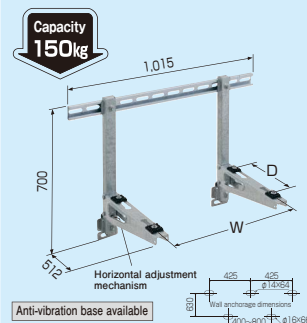
Use	For Two-Stage Flats
Code No.	☐ 18527
Item No.	C-WG-L
Specification / Material	ZAM+Powder Coating
A/C applicable size	W 400~800 D 200~380
Min. lot	2

Capacity 80kg × 2 units
Effective A/C dimensions on 1st step
(Width) (Depth) (Height)
834 354 735
Frame clips together for easy assembly

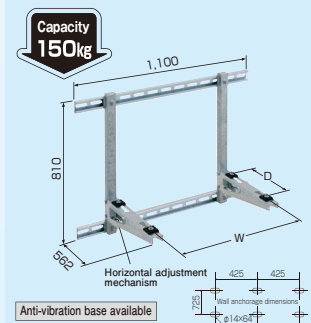


WALL BRACKET

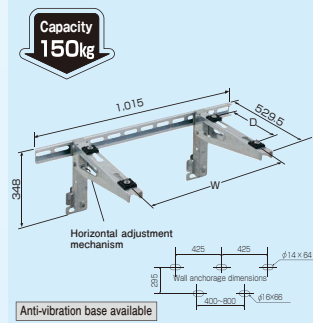
Use	For Wall
Code No.	☐ 25170
Item No.	PC-KJ30
Specification / Material	Hot-Dip Galvanized
A/C applicable size	W 400~800 D 250~380
Min. lot	1



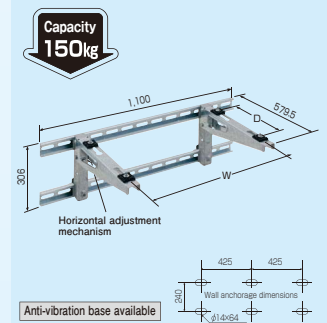
Use	For Wall
Code No.	☐ 25171
Item No.	PC-KJ60
Specification / Material	Hot-Dip Galvanized
A/C applicable size	W 400~1,000 D 300~430
Min. lot	1



Use	For Wall
Code No.	☐ 25173
Item No.	PC-BJ30
Specification / Material	Hot-Dip Galvanized
A/C applicable size	W 400~800 D 250~380
Min. lot	1

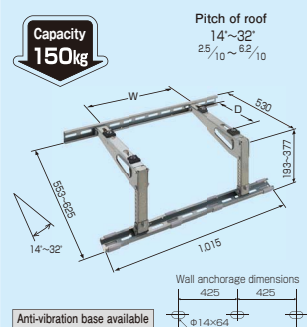


Use	For Wall
Code No.	☐ 25174
Item No.	PC-BJ60
Specification / Material	Hot-Dip Galvanized
A/C applicable size	W 400~1,000 D 300~430
Min. lot	1

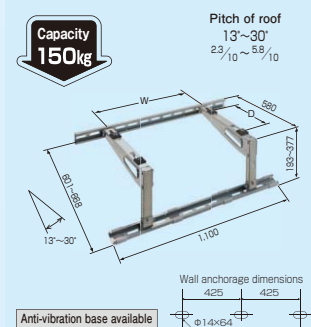


SLOPED ROOF BRACKET

Use	For Sloped Roof
Code No.	☐ 25176
Item No.	PC-YJ30
Specification / Material	Hot-Dip Galvanized
A/C applicable size	W 400~800 D 250~380
Min. lot	1

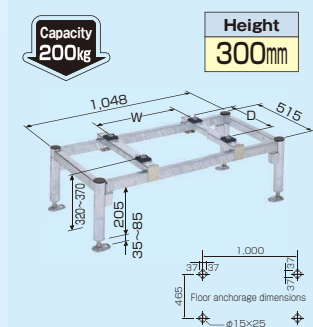


Use	For Sloped Roof
Code No.	☐ 25177
Item No.	PC-YJ60
Specification / Material	Hot-Dip Galvanized
A/C applicable size	W 400~1,000 D 300~430
Min. lot	1



SLAB STAND

Use	For Flats
Code No.	☐ 25140
Item No.	PC-NJ33
Specification / Material	Hot-Dip Galvanized
A/C applicable size	W 400~810 D 250~410
Min. lot	1



Use	For Flats
Code No.	☐ 25146
Item No.	PC-NJ63
Specification / Material	Hot-Dip Galvanized
A/C applicable size	W 400~1,010 D 270~430
Min. lot	1

